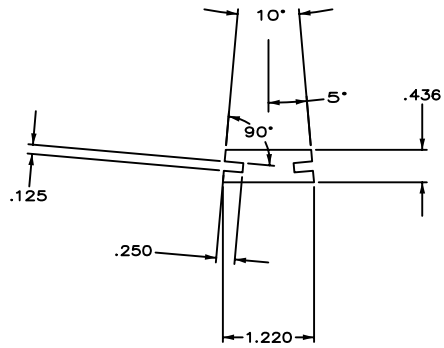
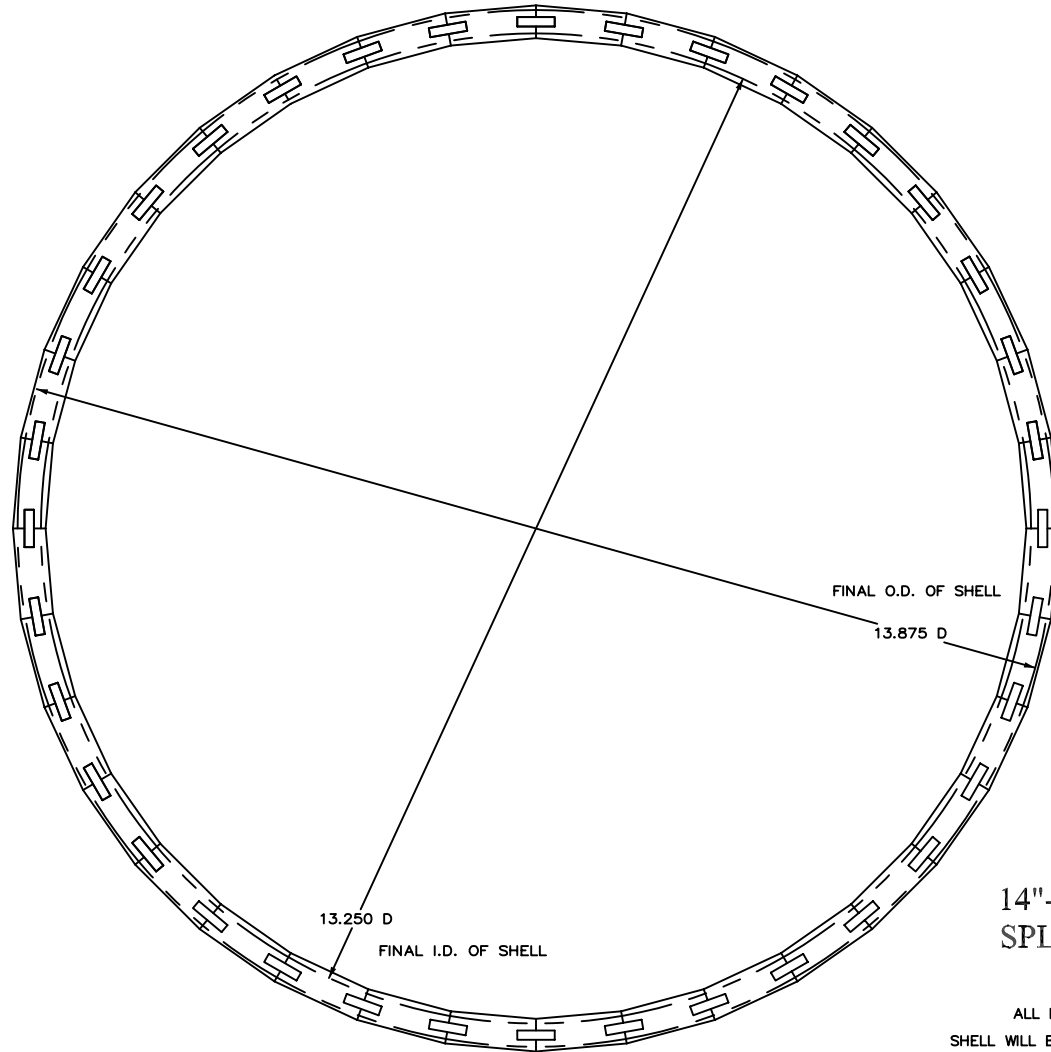


SPLINES
36 PCS REQUIRED



STAVES
36 PCS REQUIRED



14"- 36 STAVE &
SPLINE LAYOUT

ALL DIMENSIONS IN INCHES
SHELL WILL BE 5/16" THICK WHEN FINISHED
SKETCH DOES NOT SHOW DEPTH OF SHELL